



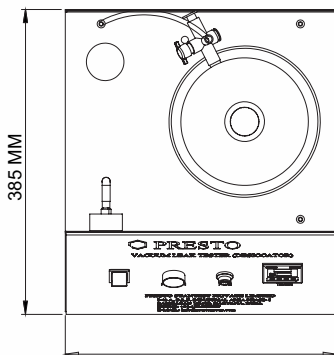
## Vacuum Leak Tester



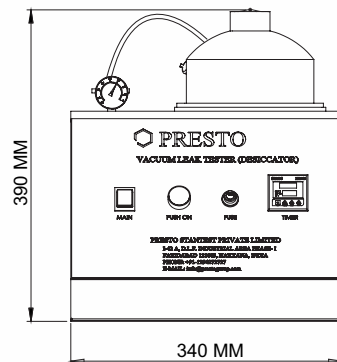
### Model No. PVL-0129

**Vacuum Leak Tester** is a consistent tool to visually check the integrity of foiled cups, gels, pouches etc. tested under a vacuum. PRESTO Vacuum Leak Tester is manufactured under various Test Standards ASTM D 4991-07(2015), ASTM F 2338-09(2013). Other model available are Vacuum Leak Tester – Prima Series (Digital cum computerized).

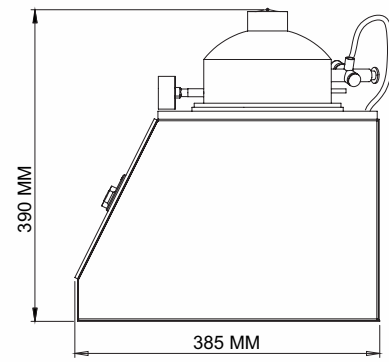
- Microprocessor based for accuracy and repeatability
- Meets USP 28 Packaging Practice specification
- Automatic sample testing through easy vacuum mechanism
- Pressure, Inlet Vacuum Pressure setting and Preset Timer functions incorporated for accuracy and repeatability
- Changeable Timer Units in Hrs:min:sec
- Inbuilt Calibration facility
- Pressure display for easy pressure monitoring
- Stainless steel body for corrosion resistant finish



Top View



Front View



Side View





# Presto Stantest Pvt. Ltd.

I-42, DLF Industrial Area Phase-1, Delhi Mathura Road, Faridabad 121003, Haryana, India  
P : 9210 903 903, +91 129 4272727, 93111 24302 E : info@prestogroup.com

- Faridabad • Sonipat • Kolkata • Mumbai • Pune • Ahmedabad
- Chennai • Bangalore • Hyderabad

[www.prestogroup.com](http://www.prestogroup.com)



A defined vacuum is generated in the chamber to measure integrity for the evaluation of the leak proofness of foil packaging to assure that the seals are intact. Vacuum Leak tester is used to examine the sealing quality and integrity of package, especially when exposed to a pressure differential.

## Key Specifications:

Vacuum Display	Analogue
Equipment Range	650 mm Hg
Working Range	600 mm Hg
Least Count	10 mm Hg
Power	220V , Single phase, 50 Hz
Controls	Needle valve
Timer	Digital preset upto 9999 seconds (Changeable to Hrs:min:sec)
Desiccator Size Standard	Standard 150 mm (300 mm also available on request.)

## Highlights:

Material	Stainless Steel
Finish	Powder coated Havel Gray combination finish
Dimensions	340x385x390mm

The analysis of package leakage is meaningful for prolonged product shelf life. Leak tester is designed to check packages for food, drugs, Pharmaceuticals, FMCG, medical instruments, daily chemical products, automotive electronic components, stationaries and other industrial products.

## Optional :

- Vacuum Leak Tester – Prima Series model also available.

*Thank you customers for choosing us as your partners in growth !*



\*All the above logos are the sole property of their respective owners and are used purely for depiction purposes only.

## OUR OTHER PRODUCTS :-

					
Top Load Tester	Wall Thickness Gauge	Gloss Meter Triangle	Eccentricity Tester	Moisture Analyzer MB 45	Preform Neck Cutter

