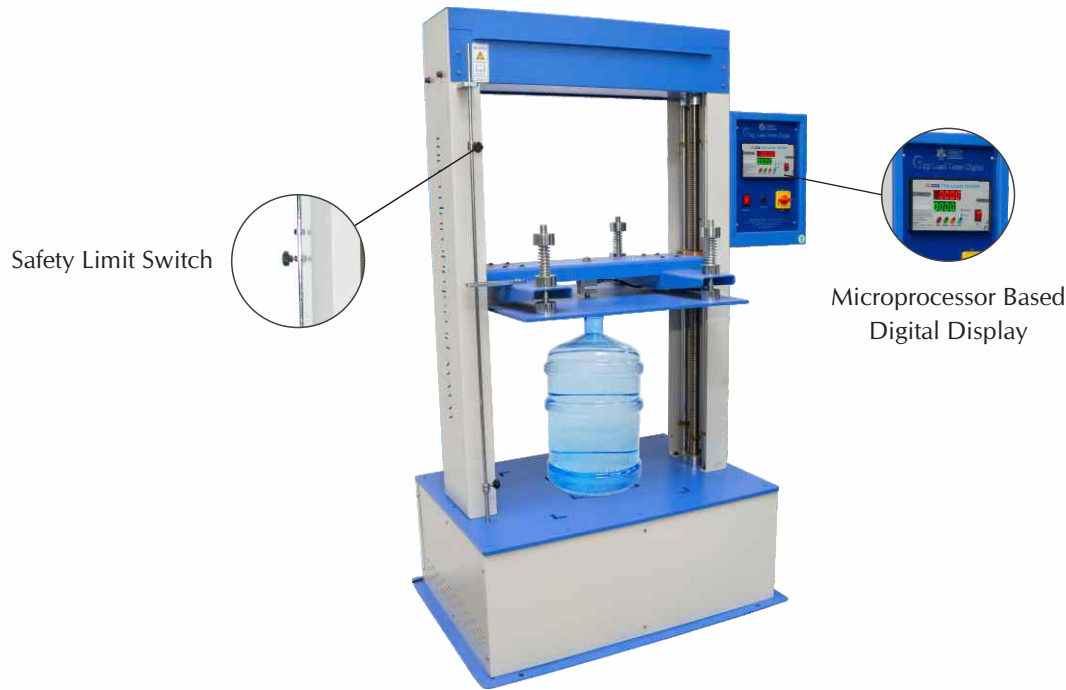




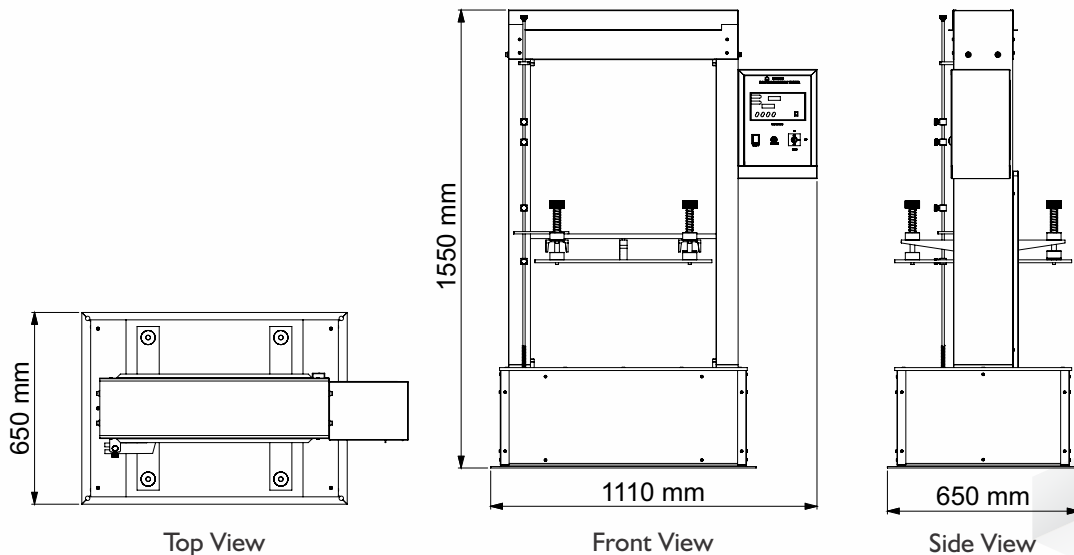
Top Load Tester- Digital for Jar



Model No. PTL - 0107

Top Load Tester – Digital for Jar is a semi automatic motorized universal Top Load Tester. It gives Compressive Buckling Load in digital format. The digital display is a high end sophisticated read out with Auto Tare (ZERO) set facility and Max Value save in memory. The test sample is placed in between the inverted concave jaws for zero slip gripping.

- Inverted straight plates for zero slip gripping support
- Digital Display for accuracy and repeatability
- Option for user to switch off machine in case of buckling of test sample.
- In-house calibration facility
- Over load safety feature.





Presto Stantest Pvt. Ltd.

I-42, DLF Industrial Area Phase-1, Delhi Mathura Road, Faridabad 121003, Haryana, India
P : 9210 903 903, +91 129 4272727, 93111 24302 E : info@prestogroup.com

- Faridabad • Sonipat • Kolkata • Mumbai • Pune • Ahmedabad
- Chennai • Bangalore • Hyderabad

www.prestogroup.com



Top Load Tester is designed to provide Compressive buckling load. The instrument is used for testing the load bearing capacity of the PET containers when subjected to an extreme load from the Top direction. It determines accurately the maximum load a PET container & Jars can bear without any deformation or failure.

Key Specifications:

Model available in various Load Range	500Kgf (250 Kgf on request)
Accuracy	± 2% full scale(with master load)
Least Count/Resolution	200 gm
Power	220V , Single phase, 50Hz
Display	Digital LED Display 7 segment
Load Monitoring	Peak Load indicator with Digital readout and peak hold feature
Over Load Safety	Max Cap. of Machine set 80%
Compression Plate	Compression Plate 600x600mm ± 5mm
Test Speed	24 ± 5 mm / min.

* VFD drive optional for variable speed.

Highlights:

Safety	Upward and Downward Limit switches provided
Grips	Inverted straight Compression Plates 1 set
Material	Mild Steel
Finish	Powder coated Havel Gray & Blue combination finish and bright chrome / zinc plating for corrosion resistant finish
Dimensions	500x600x1240mm

Optional

- Top Load Tester Digital model also available.
- Top Load Tester Prima Series with Touch Screen model also available.

Thank you customers for choosing us as your partners in growth !



*All the above logos are the sole property of their respective owners and are used purely for depiction purposes only.

OUR OTHER PRODUCTS :-

Top Load Tester	Wall Thickness Gauge	Gloss Meter Triangle	Eccentricity Tester	Moisture Analyzer MB 45	Preform Neck Cutter

