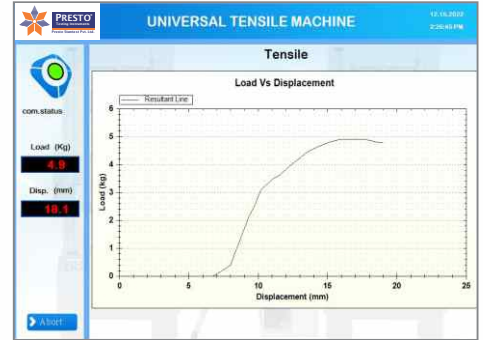
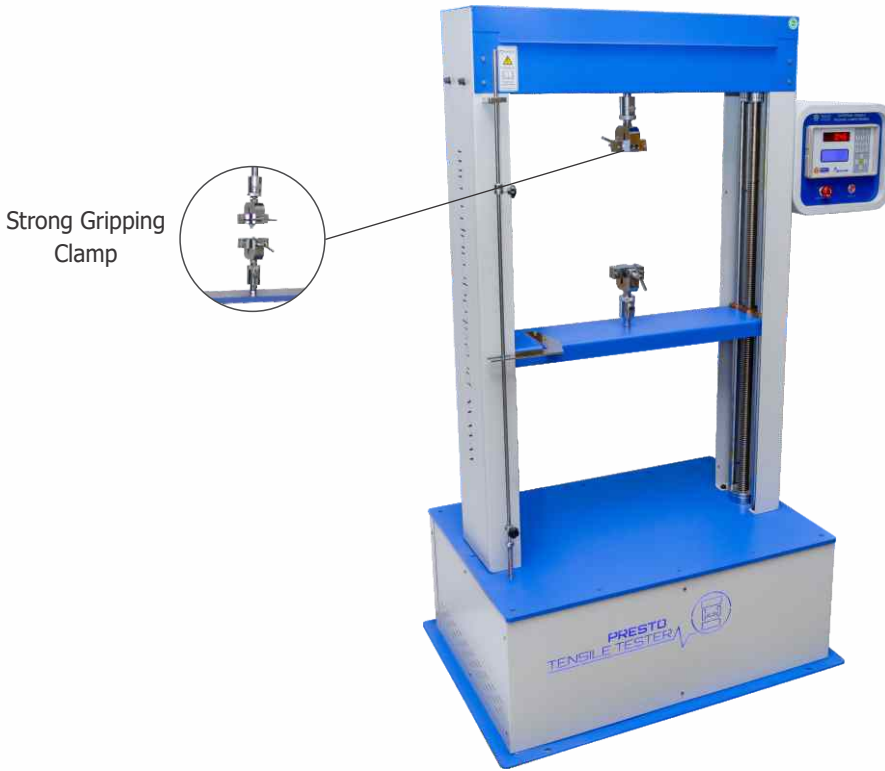


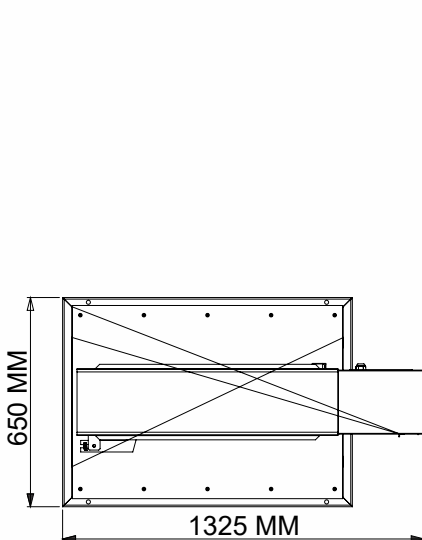


## Tensile Testing Machine Zeus Ultimo 3.0 - Computerised

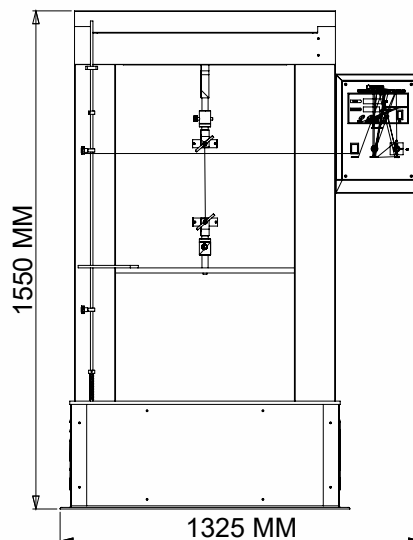


### Model No. - Zeus Ultimo 3.0

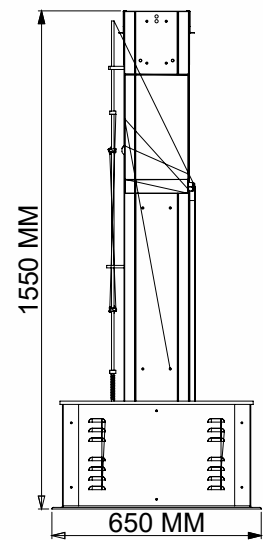
**Tensile Testing Machine Computerised** is a consistent tool that helps the manufacturer in testing the breaking, tensile and compression strength of various materials, components and finished products. It is based on the principle of Constant rate of extension (CRE). PRESTO Tensile Testing Machine Computerised is manufactured under various test standards such as ASTM D412, ASTM D429-73, ASTM D624, ATM D638-01, ASTM D76, IS 13360-5-7, IS 3400(Part1-1987).



Top View



Front View



Side View

\* for 500 Kgf capacity model





# Presto Stantest Pvt. Ltd.

I-42, DLF Industrial Area Phase-1, Delhi Mathura Road, Faridabad 121003, Haryana, India  
P : 9210 903 903, +91 129 4272727, 93111 24302 E : info@prestogroup.com

• Faridabad • Sonipat • Kolkata • Mumbai • Pune • Ahmedabad  
• Chennai • Bangalore • Hyderabad

[www.prestogroup.com](http://www.prestogroup.com)



## Features :

- Advanced load sensor sensing through advanced electronics.
- Speed Control through Variable Frequency drive automation by Graphic user interface PC.
- Highly sensitive load sensor with linearity feature and repeatability
- Cross head travel length: 800 mm without grips
- Twin column rugged structure
- Safety limit switches for over travel safety
- Hardened lead screws/ball screws for frictionless movement
- Load cell calibrated by NABL approved proving ring/dynamometers
- Advanced Navigation System
- High accurate micro-controller based system controls with integrated software
- User Friendly software with intuitive icons and robust architecture
- Inbuilt hardware/software in pen drive / Online Link.
- Easy Data Management. User programmable product identification, lot no., shape of specimen, company name, operator details etc.
- USB compatible for high speed data transfer
- Export Test report in Excel & PDF format
- Print preview of test reports with Zoom in Feature available
- Online test run status can be viewed graphically or in raw data form
- Secured working with key protection feature
- Ease of use features: Graph setup, test control wizard, result, reports, live test panel.
- Graph setup: user defined graph scale/range with Graph Title
- Test Control Wizard to set test parameters like tension, compression, changeable units in Kgs/N or cm/mm.
- Automatic end test/return to home position through software interface after completion of test.
- Immediate analysis of results after test with complete accuracy & precision.
- Option to email test reports
- Single Test start with one click entry of the mouse.
- Dual Load Cell Auto Calibration facility
- Third Load cell optional

Reliable and user friendly software useful in various industries like rubber, plastics, automotive, polymers, textiles, R&D labs, production, material testing. A comprehensive Universal testing solution, PRESTO tensile testing machine computerized is a one stop solution for studying tensile properties of various products.

The Universal Testing Machine can be used to perform the test in two modes-as a stand alone (digital control) machine or through computer control with software.





# Presto Stantest Pvt. Ltd.

I-42, DLF Industrial Area Phase-1, Delhi Mathura Road, Faridabad 121003, Haryana, India  
 P : 9210 903 903, +91 129 4272727, 93111 24302 E : info@prestogroup.com

- Faridabad • Sonipat • Kolkata • Mumbai • Pune • Ahmedabad
- Chennai • Bangalore • Hyderabad

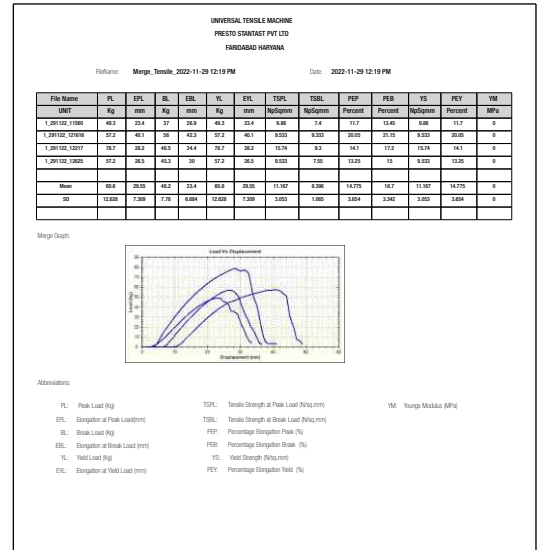
www.prestogroup.com



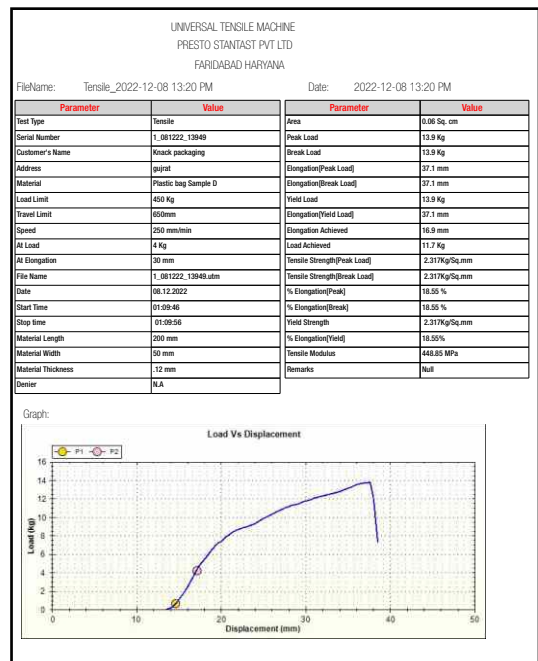
## MORE THAN 37 TYPES OF TESTS / REPORTS POSSIBLE \*

1	Elongation Achieved
2	Load Achieved
3	Peak Load
4	Elongation at Peak Load
5	Tensile Strength at Peak Load
6	Percentage Elongation at Peak Load
7	Break Load
8	Elongation at Break Load
9	Tensile Strength at Break Load
10	Percentage Elongation at Break Load
11	Yield Load
12	Elongation at Yield Load
13	Yield Strength
14	Percentage Elongation at Yield Load
15	Young's Modulus
16	De ection at Peak Load
17	Flexural Strength at Peak Load
18	Percentage De ection at Peak Load
19	Flexural Modulus
20	Compression Achieved
21	Compression at Peak Load
22	Compression Strength at Peak Load
23	Percentage Compression at Peak Load
24	Compression at Break Load
25	Compression Strength at Break Load
26	Percentage Compression at Break Load
27	Compression at Yield Load
28	Percentage Compression at Yield Load
29	CompressionModulus
30	Peel at Peak Load
31	Peel Strength at Peak Load
32	Average Load
33	Peel at Average Load
34	Peel Strength at Average Load
35	Bond Strength at Peak Load
36	Bond Strength at Break Load
37	Shear Strength at Peak Load

\* Please confirm you requirements at time of the ordering.



## Test Report format - I



## Test Report format - II



# Presto Stantest Pvt. Ltd.

I-42, DLF Industrial Area Phase-1, Delhi Mathura Road, Faridabad 121003, Haryana, India  
 P : 9210 903 903, +91 129 4272727, 93111 24302 E : info@prestogroup.com

- Faridabad
- Sonipat
- Kolkata
- Mumbai
- Pune
- Ahmedabad
- Chennai
- Bangalore
- Hyderabad

www.prestogroup.com



## Key Specification

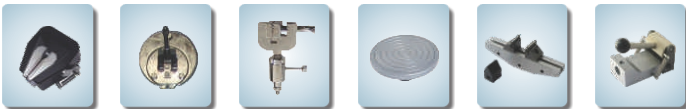
Display	Graphical with test data output through Inbuilt Software
Power	220V, Single / Three phase, 50 Hz
Accuracy	± 2% at Full Load (with master load)
Standard Speed	50-500 mm/min *Optional through computer software
Grip to Grip Separation	Min 25mm and Max. 700mm (applicable only with vice type standard grip)
Digital load indicator	7 segment LED Display (optional as per request)

## Highlights:

Drive Mechanism	Variable Frequency AC Drive
Safety	Yes
Grippers (optional added based on requirement)	<ul style="list-style-type: none"> <li>• Vice Type (Standard Gripper)</li> <li>• Flexural</li> <li>• Compression Plate</li> <li>• Wedge Type</li> <li>• Roller Type</li> </ul>
Communication Converter	USB / RS 485
Material	Mild Steel
Finish	Powder coated Havel Gray & Blue combination finish and bright chrome / zinc plating for corrosion resistant finish
Dimensions	1325 x 650 x 1550 mm

## Optional Features:

Grippers for different test material also available.



Self Tighting grip   Wedge Type grip   Vice Type grip   Compression Plate   Flexural   Roller Type Grip

## Capacities Available

Capacities (Kg.)	Least Count
5	1gm
10	1gm
20	2gm
50	5gm
100	10gm
250	100gm
500	200gm
1000	500gm
2500	1kg
5000	2kg
10000	5kg

\* Other capacity available as per requirement.

\* Computer, Printer, UPS & Table not part of supply

## Test Parameters :

- Tare Load
- Break Load
- Tensile Test
- Compression Test
- Peel Test
- Loop Test
- Shear Test
- Tare Displacement
- Reverse Time
- Young Modulus
- Reverse Speed
- Reverse Slow Speed

Thank you customers for choosing us as your partners in growth !



\*All the above logos are the sole property of their respective owners and are used purely for depiction purposes only.

## OUR OTHER PRODUCTS :-

